

Service Advisory #06

Date: June 2020

CYLINDER MOUNT INSPECTION

Applies to: Skyjack Scissor Lifts

Warning!

A failure to perform the required inspection and maintenance on the structure of a Mobile Elevating Work Platform (MEWP) may result in serious injury or death.

Skyjack MEWPs have been designed to ensure compliance with the relevant regulations of the markets they are sold in to. Any identified damage to the structure must be restored to the original condition to maintain this state of compliance.

As outlined in Skyjack manuals and various applicable regulations, inspection and maintenance must be completed as part of the required daily, frequent/periodic, 6-monthly and annual inspections. If these inspections have not been performed on a regular basis, an inspection by a qualified person should be performed immediately, and regular inspections should be commenced thereafter.

The following supplementary instructions provide further detail for the structural inspection of the cylinder mount and its structure to ensure a MEWP continues to function safely. The information is also available at www.skyjack.com/service-advisories.

Refer to the most current Service Manual applicable for your MEWPs serial number, available at www.skyjack.com.

Page 2 of this document provides examples of locations to be included as part of the cylinder mount inspection. Page 3 of this document provides examples of items that should be identified during these structural inspections.

Service Advisory #06

Date: June 2020

CYLINDER MOUNT INSPECTION
Applies to: Skyjack Scissor Lifts

Examples of locations included during structural inspection of both lift cylinders are shown below.

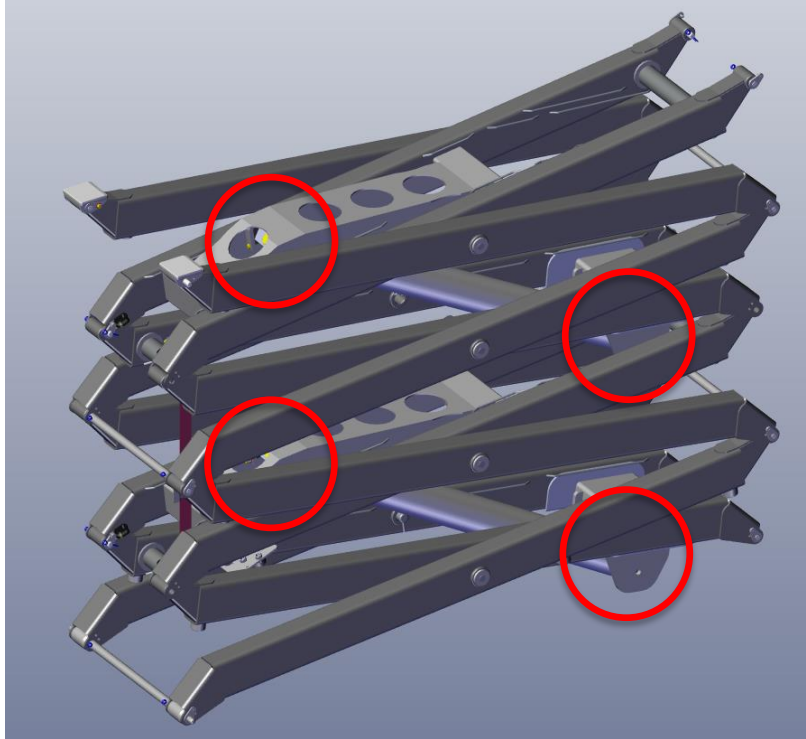


Figure 1 – Sample scissor stack cylinder mounts areas (welds/cables/hoses etc. not shown in image)

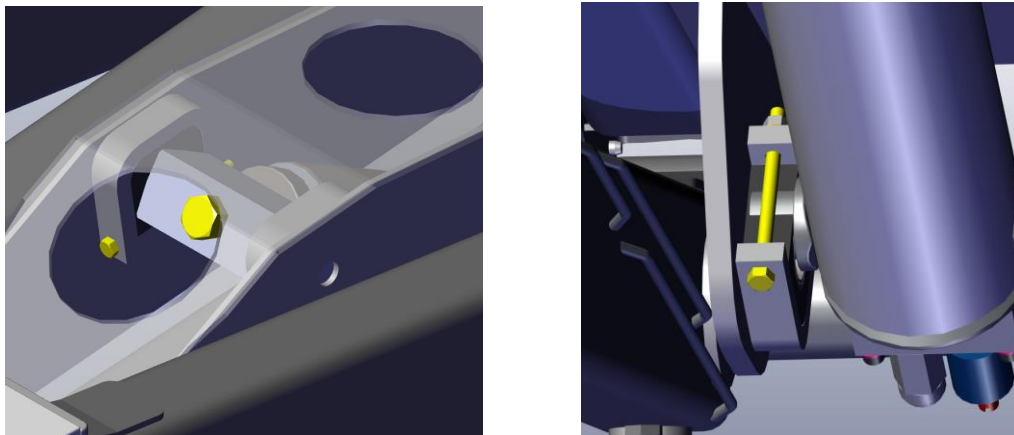


Figure 2 – Sample Lower and Upper Cylinder Mounts (welds/cables/hoses etc. not shown in images)

Service Advisory #06

Date: June 2020

CYLINDER MOUNT INSPECTION

Applies to: Skyjack Scissor Lifts

The structural inspection of the cylinder mount area should include identifying: any broken/loose/missing retainers/bolts, bearing block degradation, and any cracks in welds or surrounding metal or rust forming in area. Examples of items that should be identified during these structural inspections can be seen below.

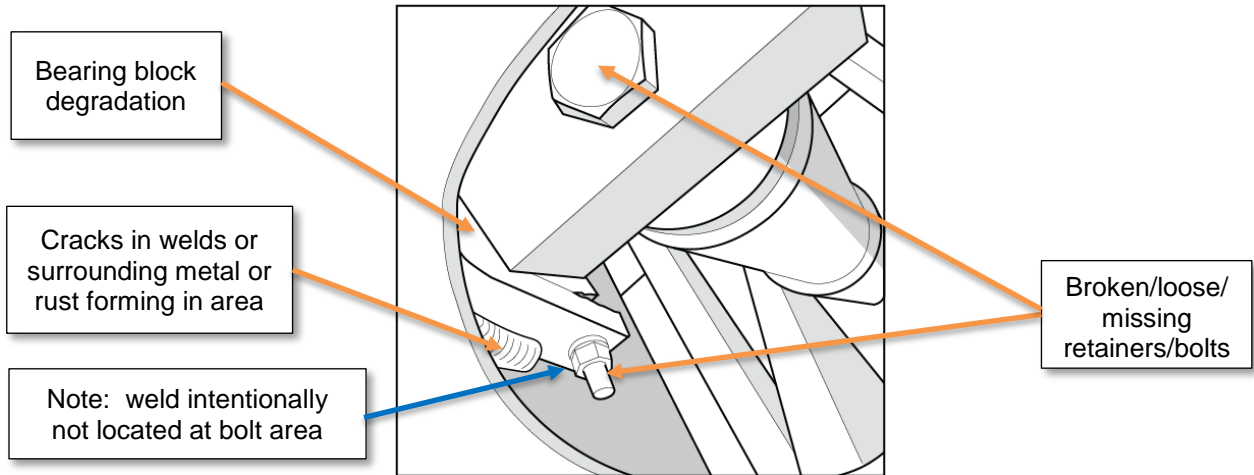


Figure 3 - Areas that should be included in the Cylinder Mount Inspection (sample upper cylinder mount area shown)

Ensure the recommended inspections and maintenance have been performed within the required intervals by a qualified person. Refer to the most current Service Manual applicable for your MEWPs serial number, available at www.skyjack.com. Any units identified with damage or not functioning correctly must be repaired by a qualified technician prior to being returned to service.

If you require further information regarding repair, please contact Skyjack Service at 1-800-275-9522 or 44 1691 676 235. You may e-mail questions to service@skyjack.com.

Ownership of Machines:

Skyjack requires that you promptly notify us of a new owner’s contact information if you have sold or transferred any machine. Please forward this service advisory to the new machine owner.